

**3.15mm(H) Slide Switch (TH Type)**



**SSG-B9/BAT-43BS/TH**


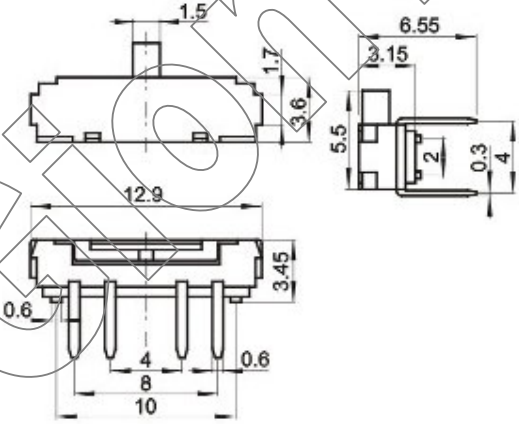
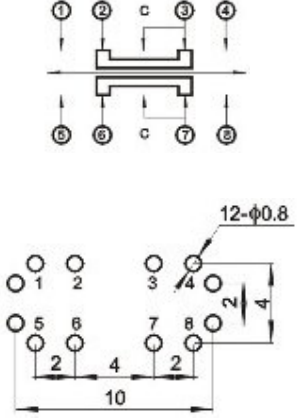
SS - Slide Switch  
 G - G Series  
 B9/BA - Type  
 T - TH Type  
 X – Pins  
 X – Switch  
 A / B – Contact Row A=1, B=2  
 S/T – Side / Top Slide  
 H - With Post (Optional)

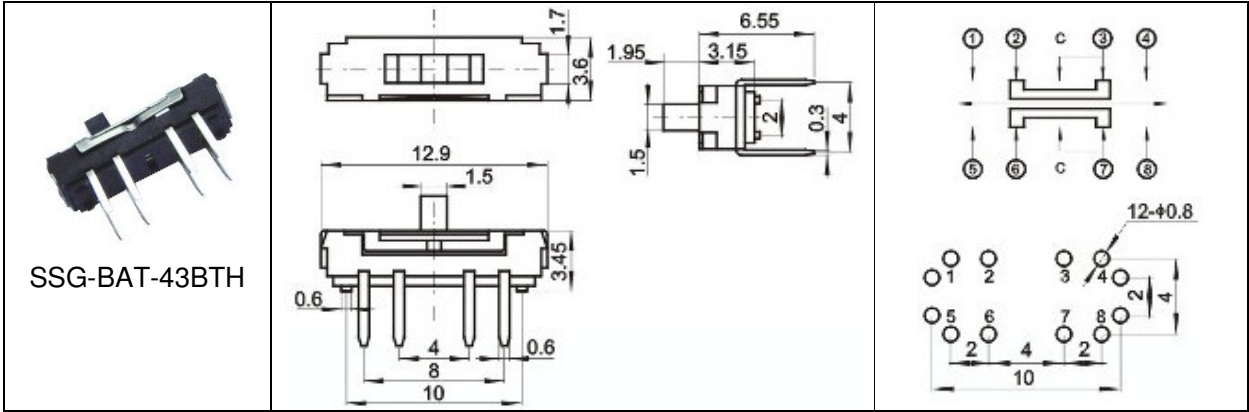
**SPECIFICATIONS**

Mechanical Life: 12,500 cycles  
 Operating Force: 200g±100g, 250g±100g  
 Rating: 30mA 6.3V DC  
 Dielectric Withstanding: 500V AC/minute  
 Insulator resistance: ≥ 100 MΩ at 100V  
 Contact resistance: ≤ 70 mΩ/Contact  
 Operating temperature: -20°C ~ +70°C  
 Storage temperature: -40°C ~ +85°C

**Material**

Base: PBT/PA6T, UL94V-0  
 Contact material: Phosphor Bronze  
 Contact Spring Plating: Stainless Steel/Silver Plating

Physical Picture	Outline Drawing	Circuit / Footprint
 <p>SSG-B9T-43BSH</p>		



GionTech